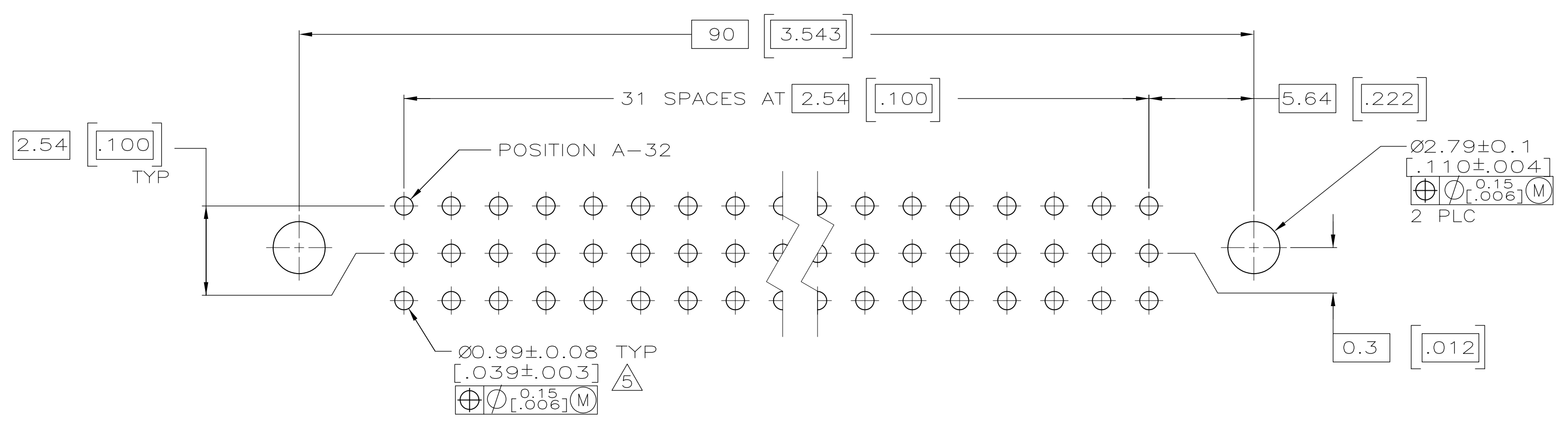
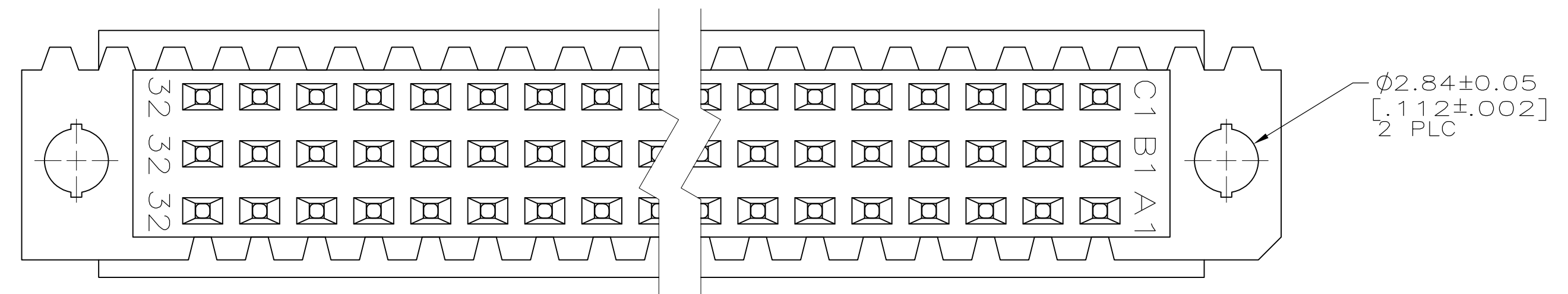
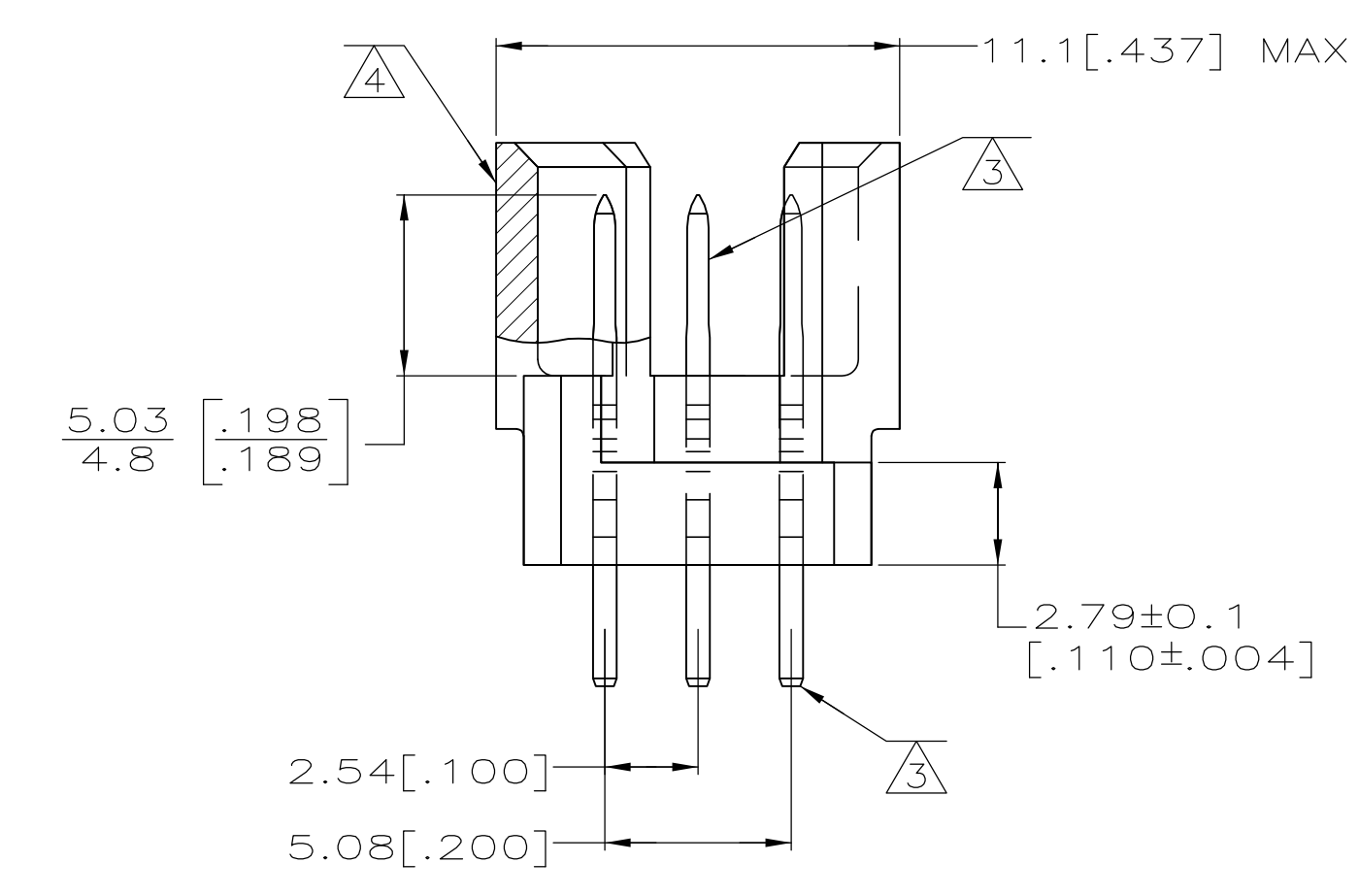
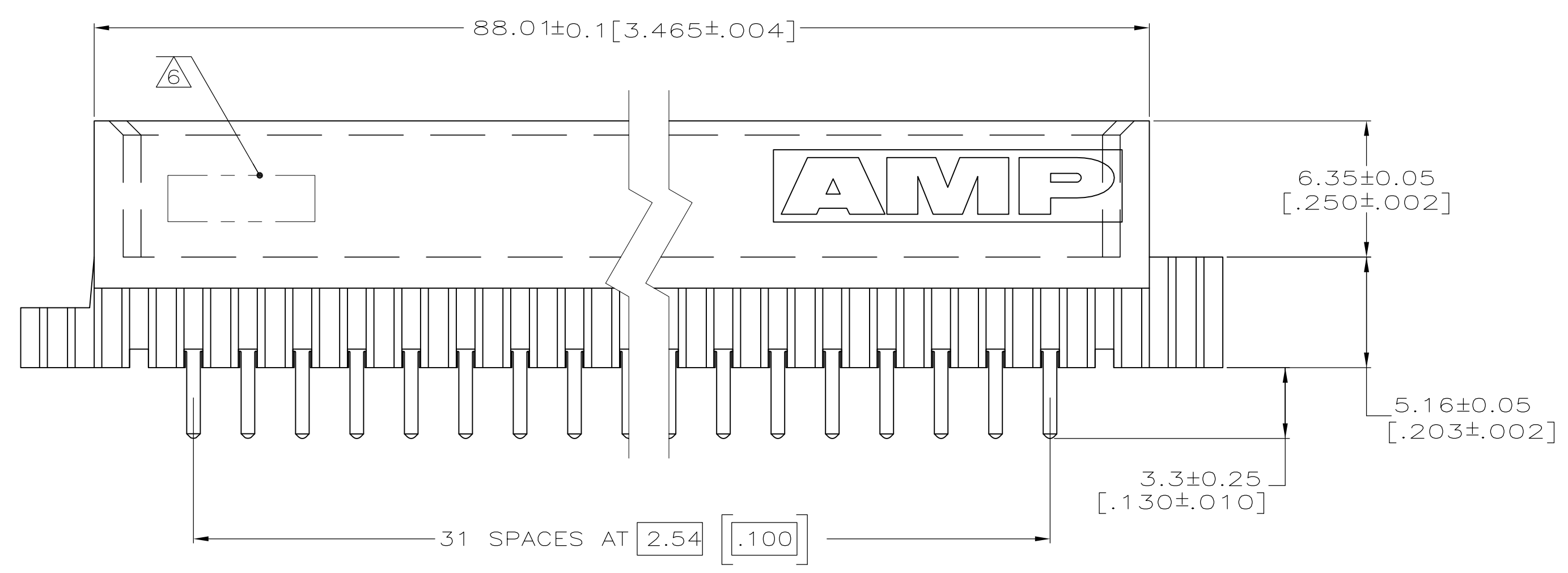
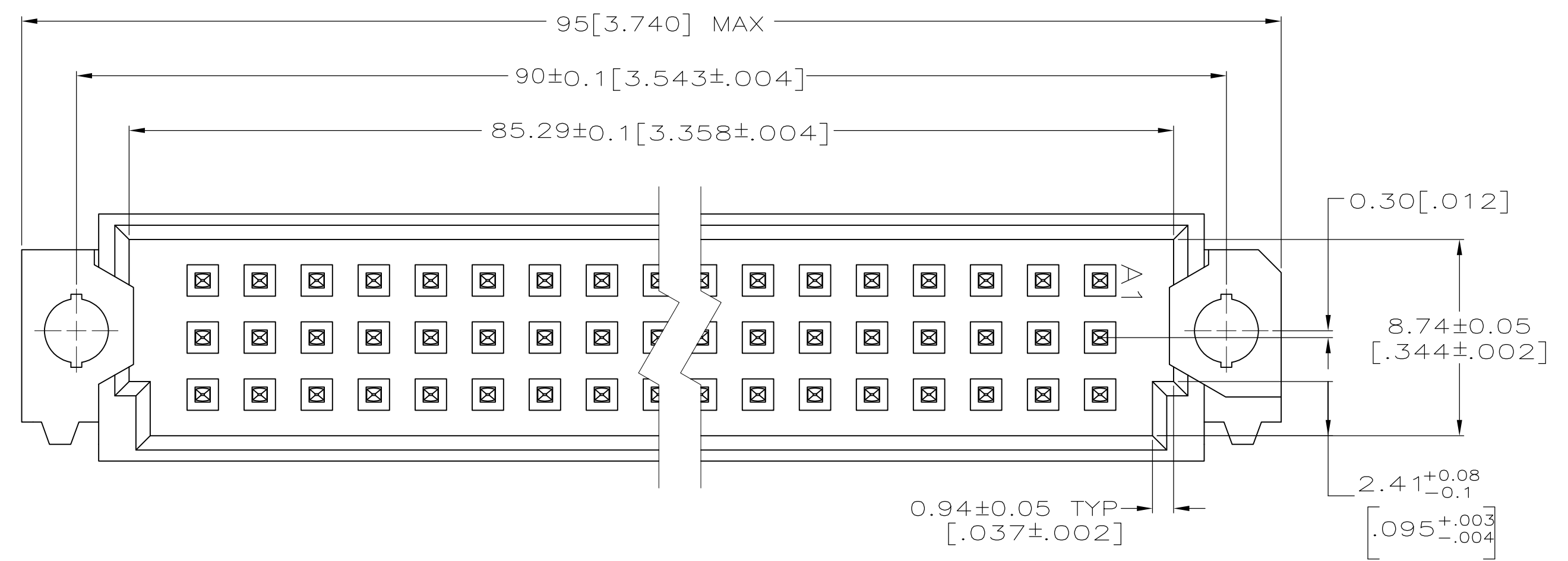


- ① HOUSING MATERIAL: GLASS-FILLED POLYMER.
- ② POST MATERIAL: COPPER ALLOY.
- ③ POST FINISH: DIN 41612 CLASS 2 IN CONTACT AREA. TIN PLATE ON POSTS.
- ④ MARKING ON THIS SIDE.
- ⑤ RECOMMENDED HOLE SIZE FOR MANUAL APPLICATION OF CONNECTOR ONTO PC BOARD.
- ⑥ PART NUMBER, DATE CODE MARKED THIS APPROXIMATE AREA.



1-32	X	X	X	96	5650908-5
POSITIONS LOADED	C	B	A	NO. OF LOADED POSITION	ASSY PART NUMBER
	ROWS LOADED				

THIS DRAWING IS A CONTROLLED DOCUMENT.		DIN J. POLIGNONE DSMAYOS		APVD A. SHARPE DSMAYOS		NAME		TE Connectivity																							
DIMENSIONS: mm [INCHES]		TOLERANCES UNLESS OTHERWISE SPECIFIED:		PRODUCT SPEC		APPLICATION SPEC		ASSEMBLY, PIN, EUROCARD, TYPE R, 96 POSITION, 3.30[.130] SOLDER POST																							
<table border="1"> <tr><td>0 PLC</td><td>± -</td></tr> <tr><td>1 PLC</td><td>± -</td></tr> <tr><td>2 PLC</td><td>± 0.13[.005]</td></tr> <tr><td>3 PLC</td><td>± -</td></tr> <tr><td>4 PLC</td><td>± -</td></tr> <tr><td>ANGLES</td><td>± -</td></tr> </table>		0 PLC	± -	1 PLC	± -	2 PLC	± 0.13[.005]	3 PLC	± -	4 PLC	± -	ANGLES	± -	<table border="1"> <tr><td>SIZE</td><td>A1</td></tr> <tr><td>SCALE</td><td>5:1</td></tr> <tr><td>SHEET</td><td>1 of 1</td></tr> <tr><td>REV</td><td>P</td></tr> </table>		SIZE	A1	SCALE	5:1	SHEET	1 of 1	REV	P	<table border="1"> <tr><td>RESTRICTED TO</td><td>-</td></tr> <tr><td>WEIGHT</td><td>-</td></tr> <tr><td>CUSTOMER DRAWING</td><td>-</td></tr> </table>		RESTRICTED TO	-	WEIGHT	-	CUSTOMER DRAWING	-
0 PLC	± -																														
1 PLC	± -																														
2 PLC	± 0.13[.005]																														
3 PLC	± -																														
4 PLC	± -																														
ANGLES	± -																														
SIZE	A1																														
SCALE	5:1																														
SHEET	1 of 1																														
REV	P																														
RESTRICTED TO	-																														
WEIGHT	-																														
CUSTOMER DRAWING	-																														